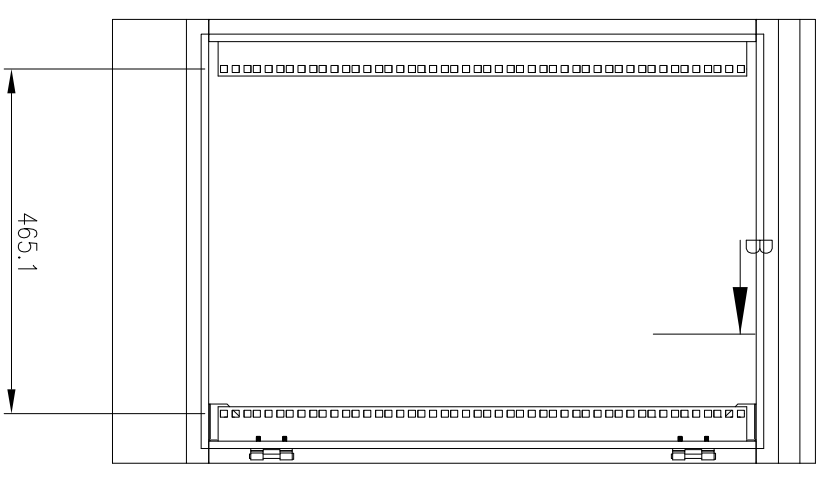
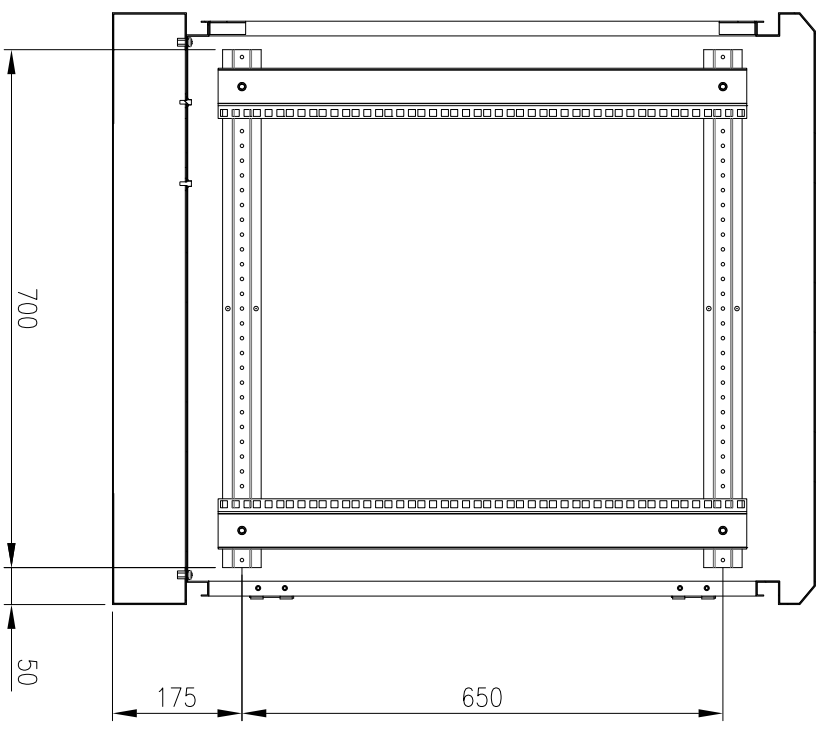


FRONT VIEW

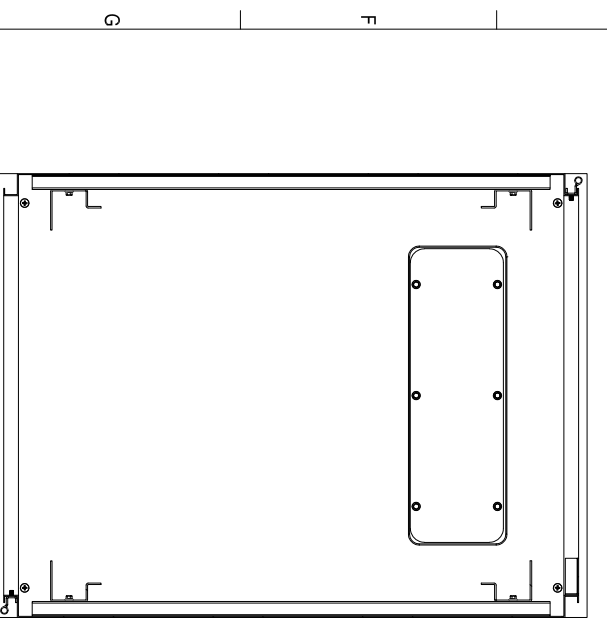
SIDE VIEW



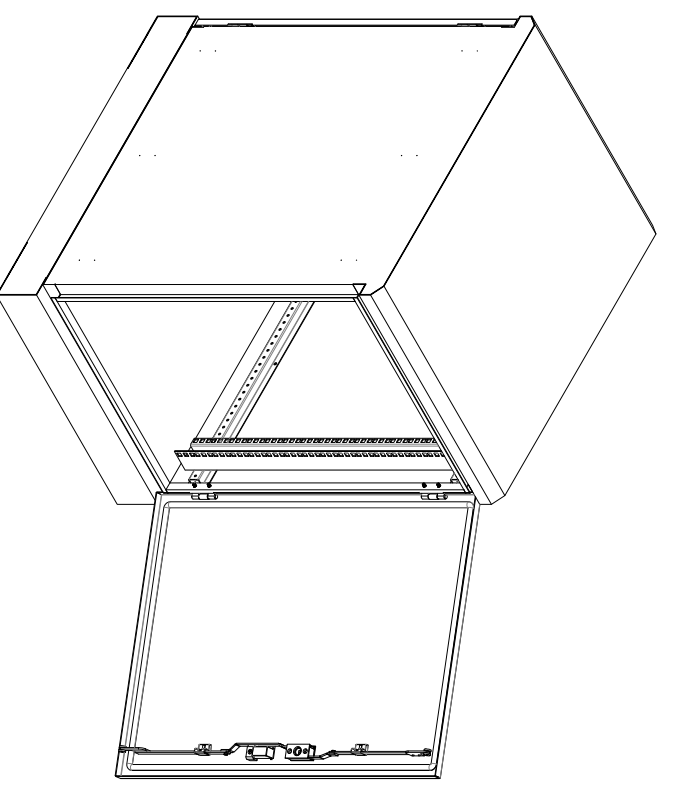
SECTION AA



SECTION BB



SECTION CC



MATERIAL
 BODY: 1.5mm GALVANISED STEEL SHEET
 DOOR: 1.5mm GALVANISED STEEL SHEET
 SEAL: POLYURETHANE
 SURFACE TREATMENT: POWDER-COAT 80-120micron
 PROTECTION: IP66 IK10, NEMA4
 STANDARD: IEC/EN/AS60529

© IP ENCLOSURES 2018.
 THIS DRAWING SHALL NOT BE COPIED OR REPRODUCED
 WITHOUT AUTHORISATION FROM IP ENCLOSURES.
 www.ipenclosures.com.au

Item#	Quantity	TradeName, designation, material, dimension etc.	Article No./Reference	Scale
IP	1	16RU 800x600x800 IP66 19" DATA RACK	16RU 800x600x800 IP66 19" DATA RACK	1:10
IP	1	IP-S0806080-01	IP-S0806080-01	1/1"

