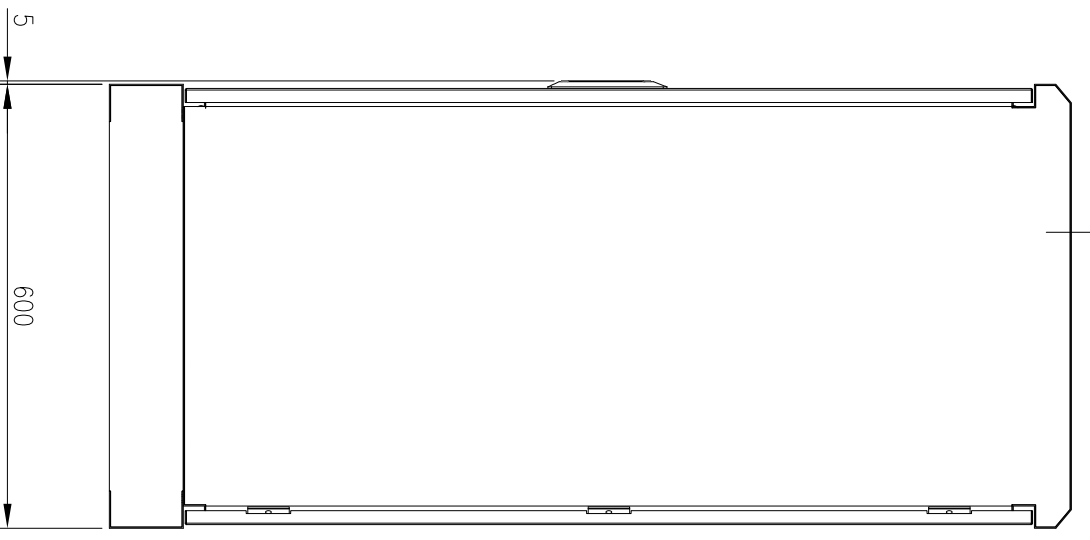
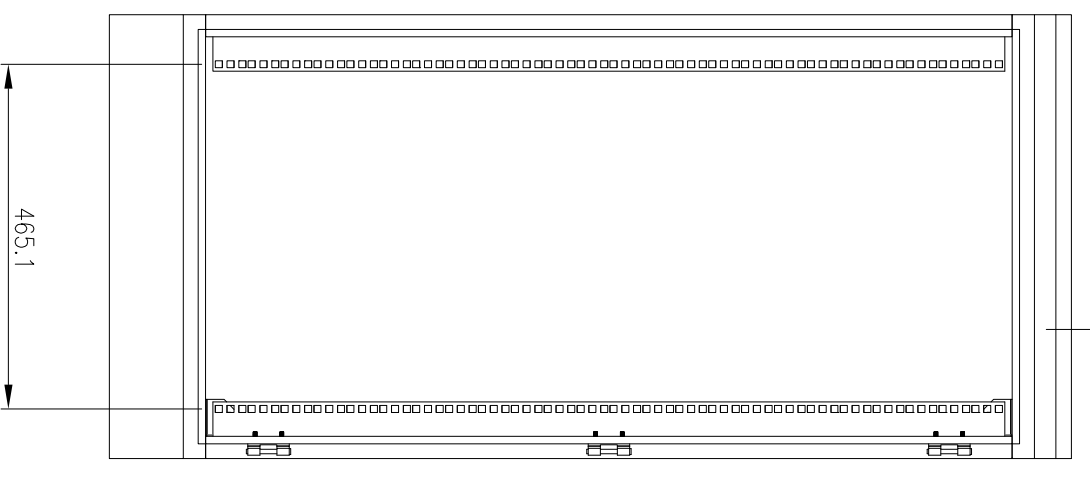


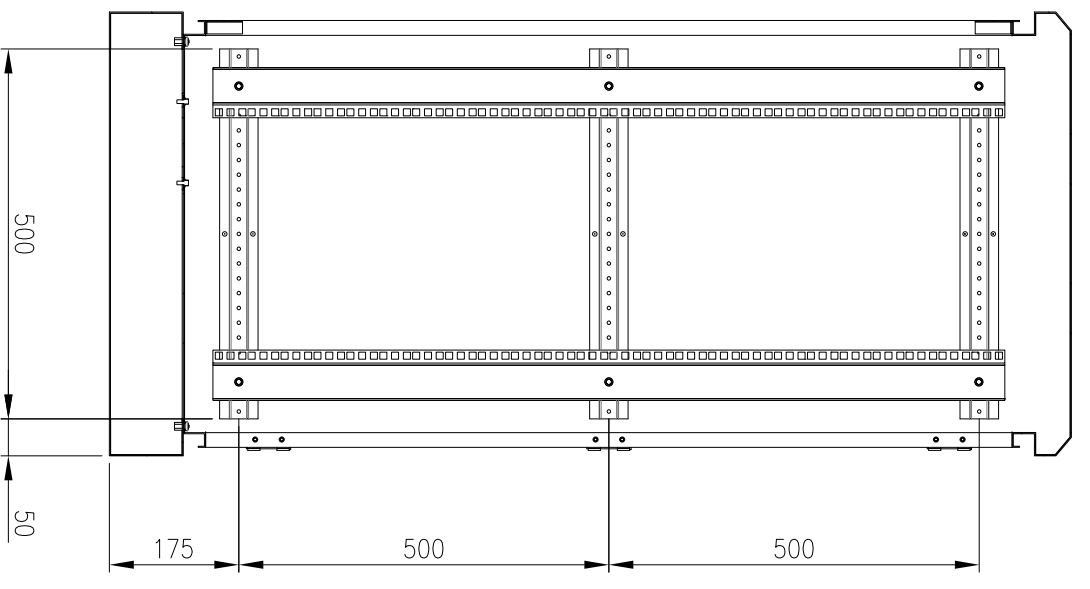
FRONT VIEW



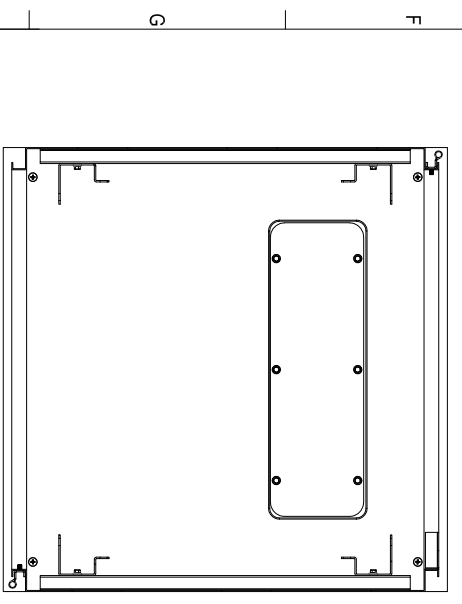
SIDE VIEW



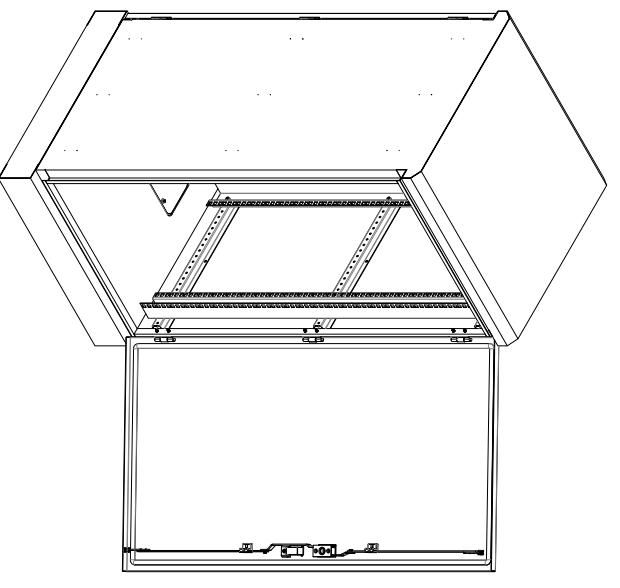
SECTION AA



SECTION BB



SECTION CC



MATERIAL
 BODY: 1.5mm 316 STAINLESS STEEL
 DOOR: 1.5mm 316 STAINLESS STEEL
 19" DATA RACK RAILS: 1.5mm 316 STAINLESS STEEL
 SEAL: POLYURETHANE
 PROTECTION: IP66 IK10, NEMA4
 STANDARD: IEC/EN/AS60529

© IP ENCLOSURES 2018.
 THIS DRAWING SHALL NOT BE COPIED OR REPRODUCED
 WITHOUT AUTHORISATION FROM IP ENCLOSURES.
 www.ipenclosures.com.au

Item	Quantity	Part/Item designation, material, dimension etc.	Article No/Reference	Scale
IP Enclosures				1:10
16RU 316SS IP66 19" DATA RACK				1/1"